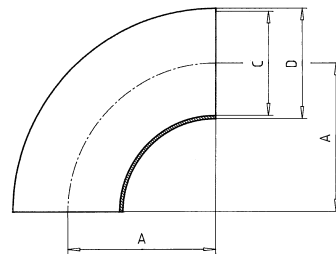


# KSZTAŁTKI I ZŁĄCZKI PRZEWODOWE 2.5

## 2.500 Łuk 90 S-S

Schweißbogen 90° Reihe 1 bend

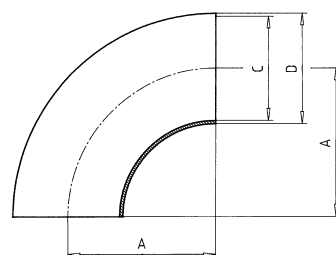
DN	A	B	C	D
10	26		9	12
15	35		15	18
20	40		19	22
25	50		25	28
32	55		31	34
40	60		37	40
50	70		49	52
65	80		66	70
80	90		81	85
100	100		100	104
125	187.5		125	129
150	225		150	154
200	300		200	204



## 2.501 Łuk 90 S-S calowy

Schweißbogen 90° für Zoll-Rohre bend for inch-tubes

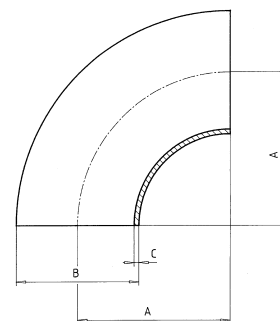
DN	A	B	C	D
1"	51		22.9	25.4
1 1/4"	50		29.3	31.8
1 1/2"	60		35.1	38.1
2"	67.5		47.8	50.8
2 1/2"	82.5		60.5	63.5
3"	85		72.1	76.2
4"	133.5		97.6	101.6



## 2.502 Łuk 90 S-S wg ISO

Bogen 90° Norm 3:  $r = 1,5 \cdot da$  matt DIN 2605 bend

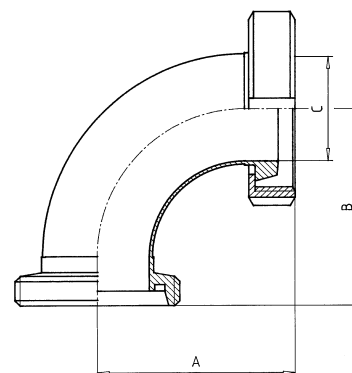
DN	A	B	C	D
21.3	25	21.3	1.6	
26.9	28.5	26.9	1.6	
33.7	38	33.7	2.0	
42.4	47.5	42.4	2.0	
48.3	57	48.3	2.0	
60.3	76	60.3	2.0	
76.1	95	76.1	2.0	



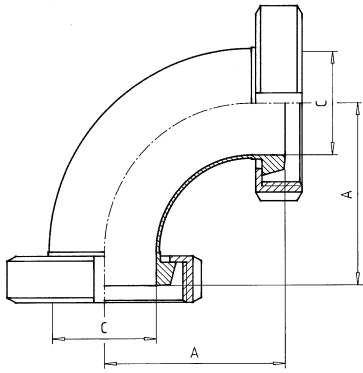
## 2.510 Łuk 90 G-N wg DIN 11851

Bogen 90° KM-G bend

DN	A	B	C	D
10	39	43	9	
15	48	52	15	
20	53	59	19	
25	65	72	25	
32	70	77	31	
40	75	82	37	
50	86	93	49	
65	97	105	66	
80	107	115	81	
100	120	130	100	
125	221.5	233.5	125	
150	262	275	150	



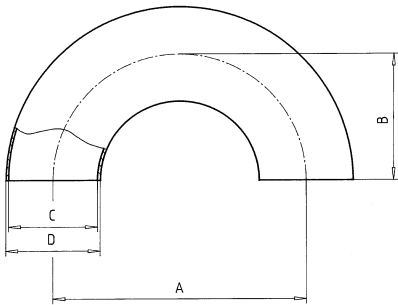
# 2.5 KSZTAŁTKI I ZŁĄCZKI PRZEWODOWE



## 2.520 Łuk 90 N-N wg DIN 11851

Bogen 90° KM-KM bend

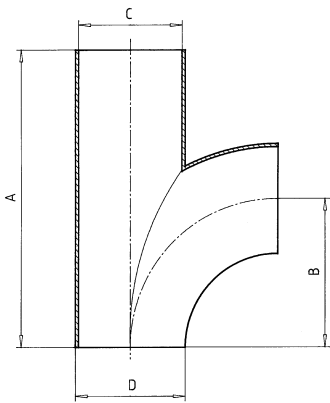
DN	A	B	C	D
10	39		9	
15	48		15	
20	53		19	
25	65		25	
32	70		31	
40	75		37	
50	86		49	
65	97		66	
80	107		81	
100	120		100	
125	221.5		125	
150	262		150	



## 2.530 Łuk 180 S-S

486 Bogen 180°, S-S bend

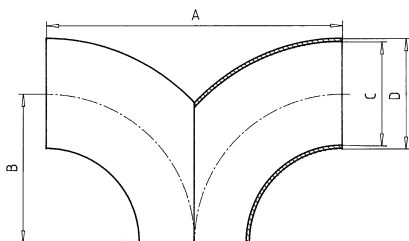
DN	A	B	C	D
10	52	26	9	12
15	70	35	15	18
20	80	40	19	22
25	100	50	25	28
32	110	55	31	34
40	120	60	37	40
50	140	70	49	52
65	160	80	66	70
80	180	90	81	85
100	200	100	100	104
125	375	187.5	125	129
150	450	225	150	154



## 2.531 Łuk T S-S-S

T-Bogen S-S-S tee bend

DN	A	B	C	D
25	100	50	25	28
32	110	55	31	34
40	120	60	37	40
50	140	70	49	52
65	160	80	66	70
80	180	90	81	85
100	200	100	100	104



## 2.532 Łuk T S-S-S

T-Bogen S-S-S tee bend

DN	A	B	C	D
25	100	50	25	28
32	110	55	31	34
40	120	60	37	40
50	140	70	49	52
65	160	80	66	70
80	180	90	81	85
100	200	100	100	104



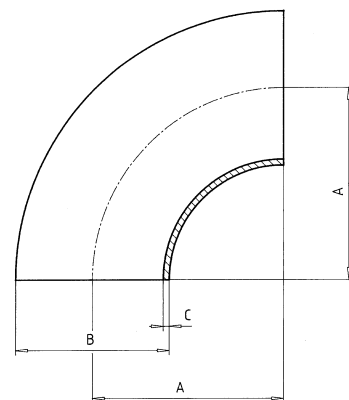
ARWIMONT

# KSZTAŁTKI I ZŁĄCZKI PRZEWODOWE 2.5

## 2.505 Łuk 90° r=1,5d wg DIN 2605

Bogen 90° Norm 3: r = 1,5 · da matt bend

DN	A	B	C	D	E
15	20	15	1.5		
15	20	15	2.0		
16	20	16	1.5		
16	20	16	2.0		
18	20	18	1.5		
18	20	18	2.0		
20	25	20	1.5		
20	25	20	2.0		
21.3	25	21.3	1.6		
21.3	25	21.3	2.0		
21.3	25	21.3	2.6		
23	25	23	1.5		
24	25	24	1.5		
24	25	24	2.0		
25	27.5	25	1.5		
25	27.5	25	2.0		
25	27.5	25	2.5		
26.9	28.5	26.9	1.6		
26.9	28.5	26.9	2.0		
26.9	28.5	26.9	2.6		
28	32.5	28	1.5		
28	32.5	28	2.0		
29	33.5	29	2.0		
30	33.5	30	1.5		
30	33.5	30	2.0		
30	33.5	30	2.5		
33.7	38	33.7	1.6		
33.7	38	33.7	2.0		
33.7	38	33.7	2.6		
35	45	35	1.5		
35	45	35	2.0		
36	45	36	2.0		
38	45	38	1.5		
38	45	38	2.0		
38	45	38	2.5		
40	45	40	2.0		
42.4	47.5	42.4	1.6		
42.4	47.5	42.4	2.0		
42.4	47.5	42.4	2.6		
43	47.5	43	1.5		
44	51	44	2.0		
44.5	51	44.5	1.5		
44.5	51	44.5	2.0		
44.5	51	44.5	2.5		
48.3	57	48.3	1.6		
48.3	57	48.3	2.0		
48.3	57	48.3	2.6		
51	63.5	51	1.6		
51	63.5	51	2.0		
53	72.5	53	1.5		
54	72.5	54	2.0		
57	72.5	57	1.5		
57	72.5	57	2.0		
57	72.5	57	2.5		
60.3	76	60.3	1.6		
60.3	76	60.3	2.0		
60.3	76	60.3	2.6		
63	82.5	63	1.5		
68	92	68	1.5		
69	92	69	2.0		
70	92	70	2.0		
76.1	95	76.1	1.6		
76.1	95	76.1	2.0		
76.1	95	76.1	2.3		
76.1	95	76.1	2.6		
83	105	83	1.5		
84	105	84	2.0		
85	105	85	2.0		

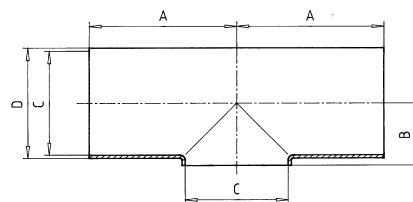




## 2.542 Trójnik S-S-S krótki

T-Stück mit kurzem Abgang S-S-S      tee, short

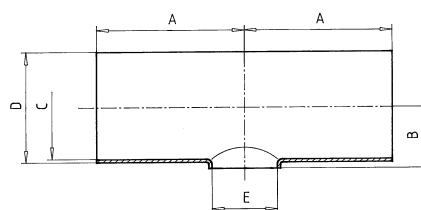
DN	A	B	C	D		
10	26	8.0	9	12		
15	35	11.5	15	18		
20	40	14.5	19	22		
25	50	15.5	25	28		
32	55	19.5	31	34		
40	60	23	37	40		
50	70	29.5	49	52		
65	80	39.5	66	70		
80	90	47.5	81	85		
100	100	59	100	104		
125	187.5	72	125	129		
150	225	85	150	154		
200	300	-	200	204		



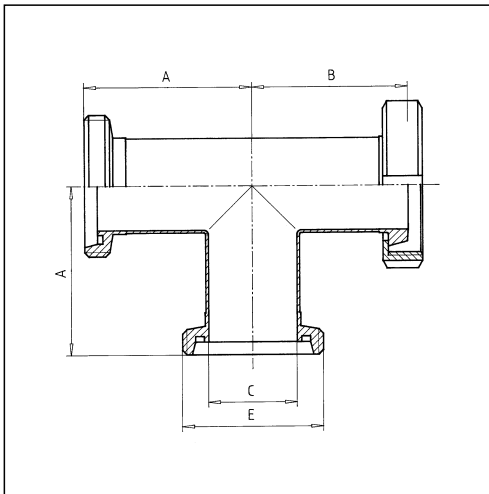
## 2.545 Trójnik redukcyjny S-S-S krótki

Reduzier-T-Stück S-S-S, kurz      reducing tee

DN	A	B	C	E		
20/15	40	12	19	15		
25/15	50	16	25	15		
25/20	50	16	25	19		
32/15	55	20	31	15		
32/20	55	20	31	19		
32/25	55	20	31	25		
40/15	60	23	37	15		
40/20	60	23	37	19		
40/25	60	23	37	25		
40/32	60	23	37	31		
50/15	70	29	49	15		
50/20	70	29	49	19		
50/25	70	29	49	25		
50/32	70	29	49	31		
50/40	70	29	49	37		
65/15	80	39	66	15		
65/20	80	39	66	19		
65/25	80	39	66	25		
65/32	80	39	66	31		
65/40	80	39	66	37		
65/50	80	39	66	49		
80/20	90	47	81	19		
80/25	90	47	81	25		
80/32	90	47	81	31		
80/40	90	47	81	37		
80/50	90	47	81	49		
80/65	90	47	81	66		
100/25	100	57	100	25		
100/32	100	57	100	31		
100/40	100	57	100	37		
100/50	100	57	100	49		
100/65	100	58	100	66		
100/80	100	58	100	81		
125/25	187.5	71.5	125	25		
125/32	187.5	71.5	125	31		
125/40	187.5	71.5	125	37		
125/50	187.5	71.5	125	49		
125/65	187.5	71.5	125	66		
125/80	187.5	71.5	125	81		
125/100	187.5	71.5	125	100		
150/40	225	87	150	37		
150/50	225	87	150	49		
150/65	225	87	150	66		
150/80	225	87	150	81		
150/100	225	87	150	100		
150/125	225	87	150	125		



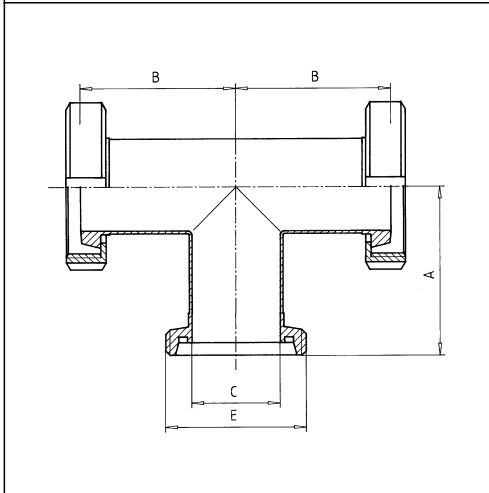
# 2.5 KSZTAŁTKI I ZŁĄCZKI PRZEWODOWE



## 2.550 Trójnik G-N-G

T-Stück G-KM-G tee

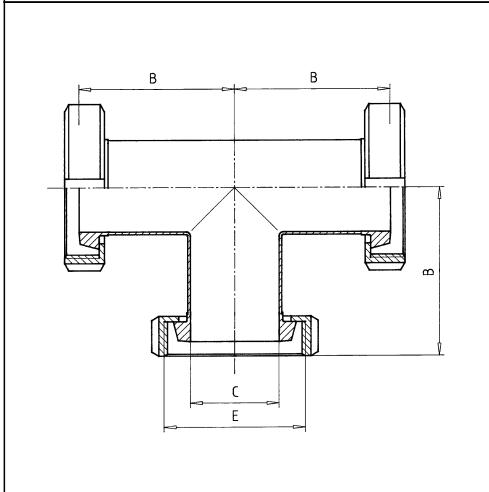
DN	A	B	C	D	E
10	43	39	9		Rd 28x1/8"
15	52	48	15		Rd 34x1/8"
20	59	53	19		Rd 44x1/6"
25	72	65	25		Rd 52x1/6"
32	77	70	31		Rd 58x1/6"
40	82	75	37		Rd 65x1/6"
50	93	86	49		Rd 78x1/6"
65	105	97	66		Rd 95x1/6"
80	115	107	81		Rd 110x1/4"
100	130	120	100		Rd 130x1/4"
125	233.5	221.5	125		Rd 160x1/4"
150	275	262	150		Rd 190x1/4"



## 2.560 Trójnik N-N-G

T-Stück KM-KM-G tee

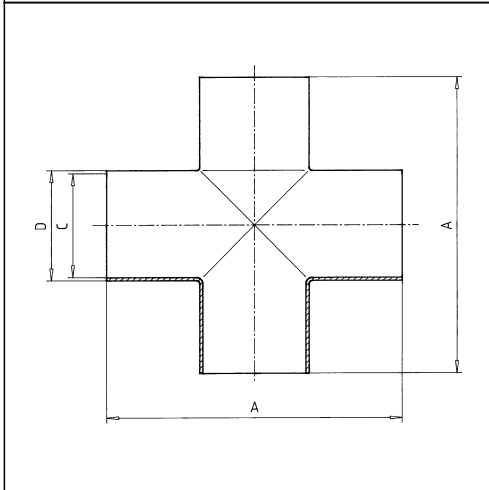
DN	A	B	C	D	E
10	43	39	9		Rd 28x1/8"
15	52	48	15		Rd 34x1/8"
20	59	53	19		Rd 44x1/6"
25	72	65	25		Rd 52x1/6"
32	77	70	31		Rd 58x1/6"
40	82	75	37		Rd 65x1/6"
50	93	86	49		Rd 78x1/6"
65	105	97	66		Rd 95x1/6"
80	115	107	81		Rd 110x1/4"
100	130	120	100		Rd 130x1/4"



## 2.570 Trójnik N-N-N

T-Stück KM-KM-KM tee

DN	A	B	C	D	E
10		39	9		Rd 28x1/8"
15		48	15		Rd 34x1/8"
20		53	19		Rd 44x1/6"
25		65	25		Rd 52x1/6"
32		70	31		Rd 58x1/6"
40		75	37		Rd 65x1/6"
50		86	49		Rd 78x1/6"
65		97	66		Rd 95x1/6"
80		107	81		Rd 110x1/4"
100		120	100		Rd 130x1/4"



## 2.580 Czwórnik S-S-S-S

Kreuzstück S-S-S-S cross piece

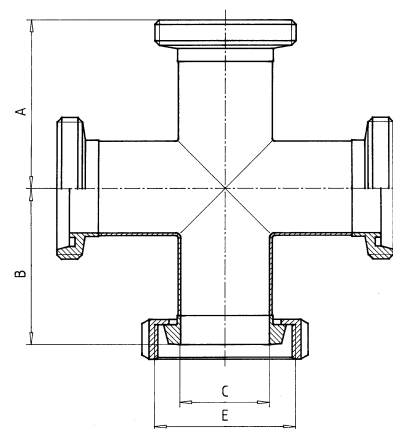
DN	A	B	C	D
10	52		9	12
15	70		15	18
20	80		19	22
25	100		25	28
32	110		31	34
40	120		37	40
50	140		49	52
65	160		66	70
80	180		81	85
100	200		100	104
125	375		125	129
150	450		150	154
200	600		200	204

# KSZTAŁTKI I ZŁĄCZKI PRZEWODOWE 2.5

## 2.590 Czwórnik G-G-G-N

Kreuzstück G-G-G-KM cross piece

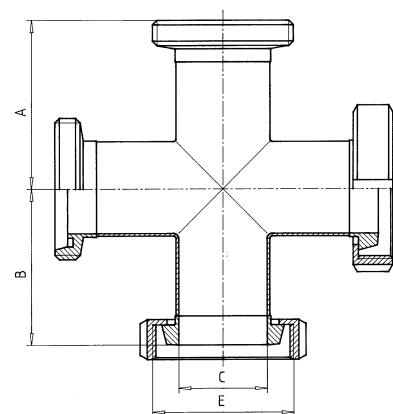
DN	A	B	C	D	E
10	43	39	9		Rd 28x1/8"
15	52	48	15		Rd 34x1/8"
20	59	53	19		Rd 44x1/6"
25	72	65	25		Rd 52x1/6"
32	77	70	31		Rd 58x1/6"
40	82	75	37		Rd 65x1/6"
50	93	86	49		Rd 78x1/6"
65	105	97	66		Rd 95x1/6"
80	115	107	81		Rd 110x1/4"
100	130	120	100		Rd 130x1/4"
125	233.5	221.5	125		Rd 160x1/4"
150	275	262	150		Rd 190x1/4"



## 2.600 Czwórnik G-G-N-N

Kreuzstück G-G-KM-KM cross piece

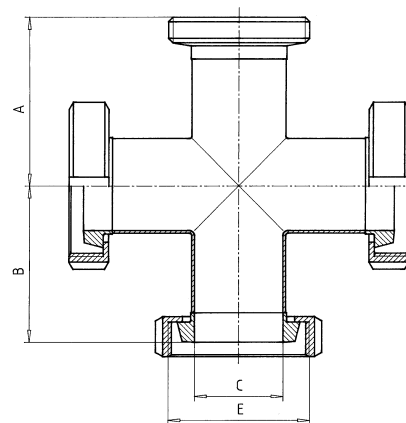
DN	A	B	C	D	E
10	43	39	9		Rd 28x1/8"
15	52	48	15		Rd 34x1/8"
20	59	53	19		Rd 44x1/6"
25	72	65	25		Rd 52x1/6"
32	77	70	31		Rd 58x1/6"
40	82	75	37		Rd 65x1/6"
50	93	86	49		Rd 78x1/6"
65	105	97	66		Rd 95x1/6"
80	115	107	81		Rd 110x1/4"
100	130	120	100		Rd 130x1/4"
125	233.5	221.5	125		Rd 160x1/4"
150	275	262	150		Rd 190x1/4"



## 2.610 Czwórnik G-N-N-N

Kreuzstück G-KM-KM-KM cross piece

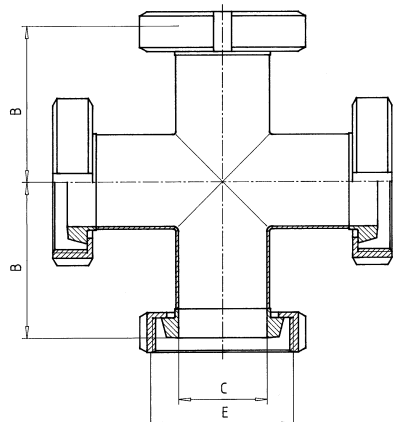
DN	A	B	C	D	E
10	43	39	9		Rd 28x1/8"
15	52	48	15		Rd 34x1/8"
20	59	53	19		Rd 44x1/6"
25	72	65	25		Rd 52x1/6"
32	77	70	31		Rd 58x1/6"
40	82	75	37		Rd 65x1/6"
50	93	86	49		Rd 78x1/6"
65	105	97	66		Rd 95x1/6"
80	115	107	81		Rd 110x1/4"
100	130	120	100		Rd 130x1/4"
125	233.5	221.5	125		Rd 160x1/4"
150	275	262	150		Rd 190x1/4"



## 2.620 Czwórnik N-N-N-N

Kreuzstück KM-KM-KM-KM cross piece

DN	A	B	C	D	E
10		39	9		Rd 28x1/8"
15		48	15		Rd 34x1/8"
20		53	19		Rd 44x1/6"
25		65	25		Rd 52x1/6"
32		70	31		Rd 58x1/6"
40		75	37		Rd 65x1/6"
50		86	49		Rd 78x1/6"
65		97	66		Rd 95x1/6"
80		107	81		Rd 110x1/4"
100		120	100		Rd 130x1/4"
125		221.5	125		Rd 160x1/4"
150		262	150		Rd 190x1/4"





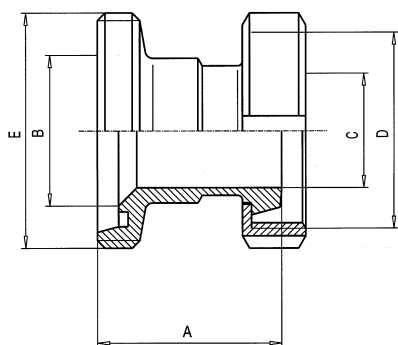




# 2.5 KSZTAŁTKI I ZŁĄCZKI PRZEWODOWE

## 2.650 Złączka redukcyjna G-N

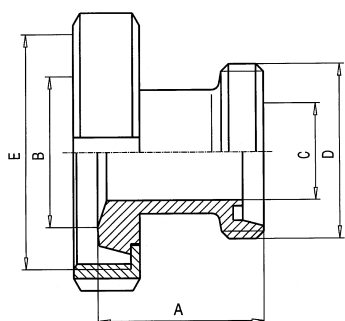
Reduzierstück G-KM reducing piece



DN	A	B	C	D	E
25/10	46	26	10	Rd 28x1/8"	Rd 52x1/6"
25/15	46	26	16	Rd 34x1/8"	Rd 52x1/6"
25/20	45	26	20	Rd 44x1/6"	Rd 52x1/6"
32/10	46	32	10	Rd 58x1/6"	Rd 58x1/6"
32/15	46	32	16	Rd 34x1/8"	Rd 58x1/6"
32/20	47	32	20	Rd 44x1/6"	Rd 58x1/6"
32/25	53	32	26	Rd 52x1/6"	Rd 58x1/6"
40/15	46	38	16	Rd 34x1/8"	Rd 65x1/6"
40/20	47	38	20	Rd 44x1/6"	Rd 65x1/6"
40/25	50	38	26	Rd 52x1/6"	Rd 65x1/6"
40/32	57	38	32	Rd 58x1/6"	Rd 65x1/6"
50/20	47	50	20	Rd 44x1/6"	Rd 78x1/6"
50/25	48	50	26	Rd 52x1/6"	Rd 78x1/6"
50/32	54	50	32	Rd 58x1/6"	Rd 78x1/6"
50/40	59	50	38	Rd 65x1/6"	Rd 78x1/6"
65/25	56	66	26	Rd 52x1/6"	Rd 95x1/6"
65/32	64	66	32	Rd 58x1/6"	Rd 95x1/6"
65/40	65	66	38	Rd 65x1/6"	Rd 95x1/6"
65/50	66	66	50	Rd 78x1/6"	Rd 95x1/6"
80/32	66	81	32	Rd 58x1/6"	Rd 110x1/4"
80/40	69	81	38	Rd 65x1/6"	Rd 110x1/4"
80/50	73	81	50	Rd 78x1/6"	Rd 110x1/4"
80/65	75	81	66	Rd 95x1/6"	Rd 110x1/4"
100/50	77	100	50	Rd 78x1/6"	Rd 130x1/4"
100/65	81	100	66	Rd 95x1/6"	Rd 130x1/4"
100/80	88	100	81	Rd 110x1/4"	Rd 130x1/4"

## 2.660 Złączka redukcyjna N-G

Reduzierstück KM-G reducing piece



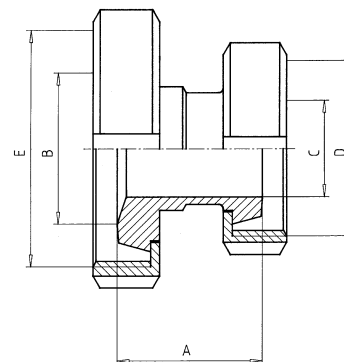
DN	A	B	C	D	E
25/10	43	26	10	Rd 28x1/8"	Rd 52x1/6"
25/15	43	26	16	Rd 34x1/8"	Rd 52x1/6"
25/20	44	26	20	Rd 44x1/6"	Rd 52x1/6"
32/10	46	32	10	Rd 58x1/6"	Rd 58x1/6"
32/15	44	32	16	Rd 34x1/8"	Rd 58x1/6"
32/20	47	32	20	Rd 44x1/6"	Rd 58x1/6"
32/25	53	32	26	Rd 52x1/6"	Rd 58x1/6"
40/15	46	38	16	Rd 34x1/8"	Rd 65x1/6"
40/20	49	38	20	Rd 44x1/6"	Rd 65x1/6"
40/25	49	38	26	Rd 52x1/6"	Rd 65x1/6"
40/32	56	38	32	Rd 58x1/6"	Rd 65x1/6"
50/25	57	50	26	Rd 52x1/6"	Rd 78x1/6"
50/32	55	50	32	Rd 58x1/6"	Rd 78x1/6"
50/40	59	50	38	Rd 65x1/6"	Rd 78x1/6"
65/25	61	66	26	Rd 52x1/6"	Rd 95x1/6"
65/32	64	66	32	Rd 58x1/6"	Rd 95x1/6"
65/40	59	66	38	Rd 65x1/6"	Rd 95x1/6"
65/50	65	66	50	Rd 78x1/6"	Rd 95x1/6"
80/32	67	81	32	Rd 58x1/6"	Rd 110x1/4"
80/40	69	81	38	Rd 65x1/6"	Rd 110x1/4"
80/50	65	81	50	Rd 78x1/6"	Rd 110x1/4"
80/65	75	81	66	Rd 95x1/6"	Rd 110x1/4"
100/50	75	100	50	Rd 78x1/6"	Rd 130x1/4"
100/65	80	100	66	Rd 95x1/6"	Rd 130x1/4"
100/80	87	100	81	Rd 110x1/4"	Rd 130x1/4"

# KSZTAŁTKI I ZŁĄCZKI PRZEWODOWE 2.5

## 2.670 Złączka redukcyjna N-N

Reduzierstück KM-KM reducing piece

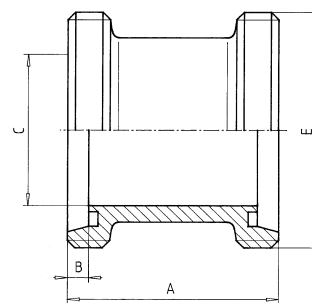
DN	A	B	C	D	E
25/10	39	26	10	Rd 28x1/8"	Rd 52x1/6"
25/15	39	26	16	Rd 34x1/8"	Rd 52x1/6"
25/20	38	26	20	Rd 44x1/6"	Rd 52x1/6"
32/10	42	32	10	Rd 58x1/6"	Rd 58x1/6"
32/15	40	32	16	Rd 34x1/8"	Rd 58x1/6"
32/20	41	32	20	Rd 44x1/6"	Rd 58x1/6"
32/25	46	32	26	Rd 52x1/6"	Rd 58x1/6"
40/15	42	38	16	Rd 34x1/8"	Rd 65x1/6"
40/20	43	38	20	Rd 44x1/6"	Rd 65x1/6"
40/25	42	38	26	Rd 52x1/6"	Rd 65x1/6"
40/32	49	38	32	Rd 58x1/6"	Rd 65x1/6"
50/25	50	50	26	Rd 52x1/6"	Rd 78x1/6"
50/32	48	50	32	Rd 58x1/6"	Rd 78x1/6"
50/40	52	50	38	Rd 65x1/6"	Rd 78x1/6"
65/25	54	66	26	Rd 52x1/6"	Rd 95x1/6"
65/32	57	66	32	Rd 58x1/6"	Rd 95x1/6"
65/40	52	66	38	Rd 65x1/6"	Rd 95x1/6"
65/50	58	66	50	Rd 78x1/6"	Rd 95x1/6"
80/32	60	81	32	Rd 58x1/6"	Rd 110x1/4"
80/40	62	81	38	Rd 65x1/6"	Rd 110x1/4"
80/50	58	81	50	Rd 78x1/6"	Rd 110x1/4"
80/65	67	81	66	Rd 95x1/6"	Rd 110x1/4"
100/50	68	100	50	Rd 78x1/6"	Rd 130x1/4"
100/65	72	100	66	Rd 95x1/6"	Rd 130x1/4"
100/80	79	100	81	Rd 110x1/4"	Rd 130x1/4"



## 2.730 Złączka G-G

Zwischenstück G-G connecting piece

DN	A	B	C	D	E
10	42	4	10		Rd 28x1/8"
15	42	4	16		Rd 34x1/8"
20	48	6	20		Rd 44x1/6"
25	58	7	26		Rd 52x1/6"
32	64	7	32		Rd 58x1/6"
40	66	7	38		Rd 65x1/6"
50	70	7	50		Rd 78x1/6"
65	80	8	66		Rd 95x1/6"
80	90	8	81		Rd 110x1/4"
100	108	10	100		Rd 130x1/4"



## 2.750 Złączka N-N

Zwischenstück KM-KM connecting piece

DN	A	B	C	D	E
10	34		10		Rd 28x1/8"
15	34		16		Rd 34x1/8"
20	36		20		Rd 44x1/6"
25	44		26		Rd 52x1/6"
32	50		32		Rd 58x1/6"
40	52		38		Rd 65x1/6"
50	56		50		Rd 78x1/6"
65	64		66		Rd 95x1/6"
80	74		81		Rd 110x1/4"
100	88		100		Rd 130x1/4"

